

77519

Katrin Plastic Dispenser For System Toilet Paper Roll, Black

- Holds two Katrin System toilet rolls
- Seamless dispensing with drop-down roll system and adjustable roll brake
- Easy and quick to refill
- Can be refilled while the second roll is in use, so tissue is always available
- 1360 - 1836 sheets, depending on paper quality
- Two versions available: with or without core catcher
- Better paper accessibility at the front of the dispenser opening
- The lock can be used with or without a key
- No searching around inside the dispenser opening for the loose end of the paper roll
- Main raw materials of major plastic parts and lock: ABS (Acrylonitrile butadiene styrene), PC (polycarbonate), POM (polyoxymethylene)
- Katrin Inclusive dispensers are resistant to high temperatures
- Comply with UL94 Fire Safety and Fire Protection regulations (EU)




ISO 9001 **ISO 14001**

Product

Length/Depth	172 mm	Colour	Black
Width	152 mm	Gross weight	0.896 kg
Height	312 mm		

Trading unit

Length/Depth	318 mm	Gross weight	1.08 kg	EAN	
Width	154 mm	Consumer packs/trading unit	1		
Height	187 mm				

Pallet

Length/Depth 1,200 mm

Gross weight 131.31 kg

EAN

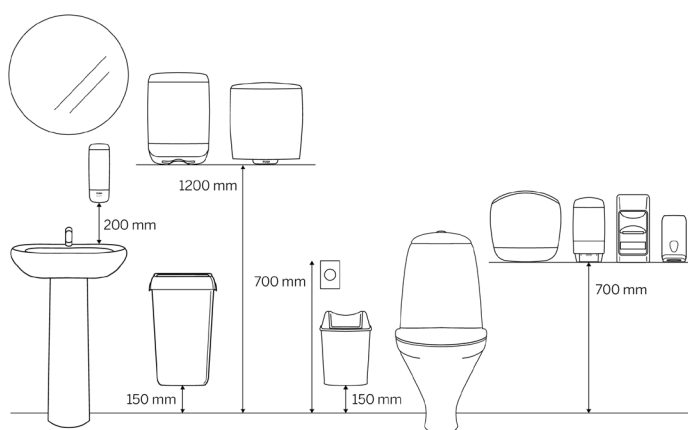


Width 800 mm

Trading units / pallet 102

Height 1,272 mm

Measurements and Installing



Related products

Selection from all countries. Please refer to web page for market-specific availability.



156104

Katrin Dispenser Toilet

Paper Roll System 567

Sheets 2-Ply, Yellow



103424

Katrin Dispenser Toilet

Paper Roll System 800

Sheets 2-Ply



87365

Katrin Plus Dispenser

Toilet Paper Roll System

684 Sheets 2-Ply



66940

Katrin Plus Dispenser

Toilet Paper Roll System

800 Sheets 2-Ply